

INSTRUCTION SHEET FOR SET #3-4103

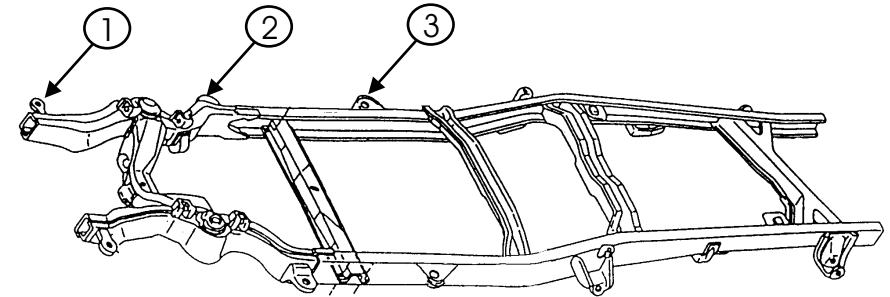
Read this instruction sheet thoroughly before initiating any work!

ENERGY SUSPENSION®

1131 VIA CALLEJON, SAN CLEMENTE, CA 92673

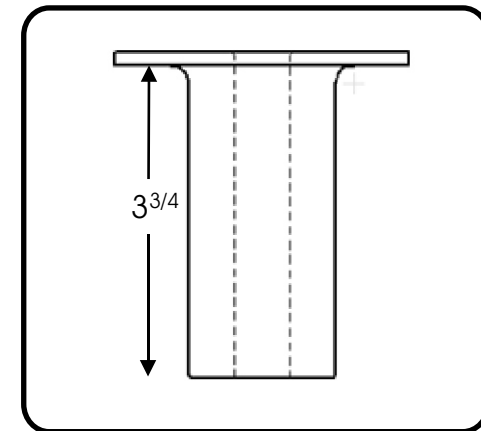
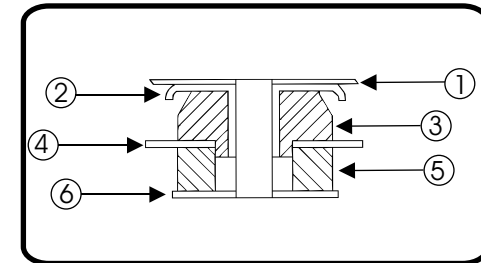
NOTE: When disassembling the body mounts, be sure to note the number and position of shims that may have been used to align the body. These shims will have to be reused to retain proper body alignment.

CAUTION: Remove all the body mount bolts on one side of the vehicle. Loosen but do not remove all the body mount bolts on the opposite side of the vehicle. Only raise one side of the vehicle at a time, lifting the body only high enough to remove/replace the mounts. Always watch the fan shroud, brake lines, and various hoses for sufficient clearance when raising the body. When jacking the body, use a 2x4 or equivalent to spread the weight. Never place jack faces directly on body panels!



Must reuse original hardware
(When specified)

Parts Diagram
(Refer below)



When all mounts and hardware are installed, torque all bolts to factory specifications.

Position #1

1. Body
2. Factory Sleeve
3. 4059
4. Frame
5. 4011
6. Supplied Washer

Position #2

1. Body
2. Factory Sleeve
3. 4010
4. Frame
5. 4011
6. Supplied Washer

Position #3

1. Body
2. Factory sleeve cut to 3-3/4"
3. 4008
4. Frame
5. 4009
6. Supplied 2" Washer
(Install new bolts at this position)

1. Kit comes with 6 conical shaped grommets. Two of which have a larger I.D. than the other 4. The 2 large I.D. conicals fit the rear cab sleeves only.

2. The rear cab sleeves have to be shortened to a length of 3-3/4". The two bolts supplied will replace the O.E.M bolts for the rear mounts only. The majority of these sleeves are heat treated, so cutting them with a conventional hacksaw may be difficult. Whether they are ground or flame cut, care must be taken on making a square cut to allow proper contact with the flat washer when final torque is applied. Torque specification is 85 ft. lbs.

3. The center (2) mounts will be slightly taller than the (2) front (core) mounts. You may use your existing hardware for these four points.

4. The (2) 5" long bolts supplied are not for use on trucks that have body lift blocks. If your truck has a body lift kit you will need to bolts that are longer than 5". Example: If you have a 2" body lift, you will need 7"bolts. Bolts supplied with this kit are grade 8.

© 2002 Energy Suspension. All rights reserved.
May not be reproduced, in any form, or by any means,
without the written consent of Energy Suspension.