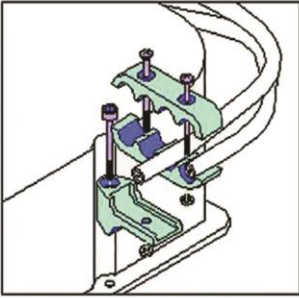
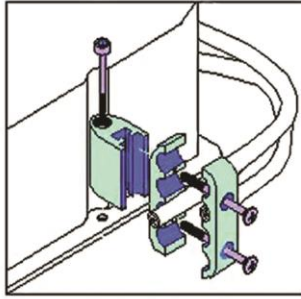


INSTALLATION INSTRUCTIONS

Horizontal / Vertical Wire Looms



Horizontal Application



Vertical Application

Vertical

1. Replace one of the screws from the separator with a longer 1" screw provided in the kit.
2. Slide nut from the separator into the slot on the bracket and tighten.

Horizontal

1. Replace one of the screws from the separator with a longer 1" screw provided in the kit.
2. Place the nut from the separator on the bottom of the bracket and assemble.

TAYLOR CABLE PRODUCTS, INC.
301 HIGHGROVE RD
GRANDVIEW, MO 64030

(816) 765-5011

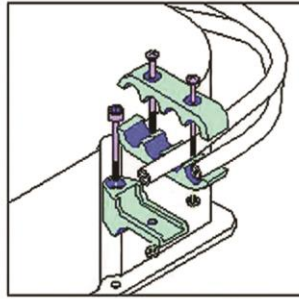
www.taylorvertex.com

ISO50

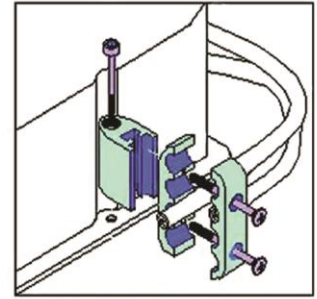
5/25/18

INSTALLATION INSTRUCTIONS

Horizontal / Vertical Wire Looms



Horizontal Application



Vertical Application

Vertical

1. Replace one of the screws from the separator with a longer 1" screw provided in the kit.
2. Slide nut from the separator into the slot on the bracket and tighten.

Horizontal

1. Replace one of the screws from the separator with a longer 1" screw provided in the kit.
2. Place the nut from the separator on the bottom of the bracket and assemble.

TAYLOR CABLE PRODUCTS, INC.
301 HIGHGROVE RD
GRANDVIEW, MO 64030

(816) 765-5011

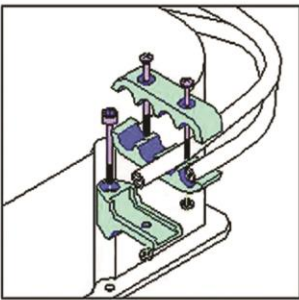
www.taylorvertex.com

ISO50

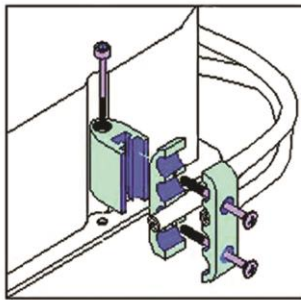
5/25/18

INSTALLATION INSTRUCTIONS

Horizontal / Vertical Wire Looms



Horizontal Application



Vertical Application

Vertical

1. Replace one of the screws from the separator with a longer 1" screw provided in the kit.
2. Slide nut from the separator into the slot on the bracket and tighten.

Horizontal

1. Replace one of the screws from the separator with a longer 1" screw provided in the kit.
2. Place the nut from the separator on the bottom of the bracket and assemble.

TAYLOR CABLE PRODUCTS, INC.
301 HIGHGROVE RD
GRANDVIEW, MO 64030

(816) 765-5011

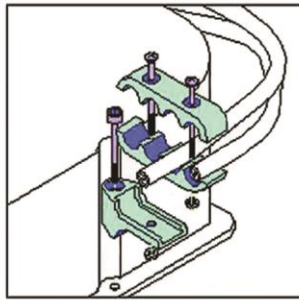
www.taylorvertex.com

ISO50

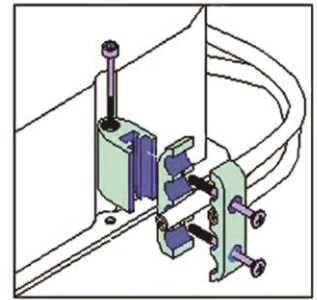
5/25/18

INSTALLATION INSTRUCTIONS

Horizontal / Vertical Wire Looms



Horizontal Application



Vertical Application

Vertical

1. Replace one of the screws from the separator with a longer 1" screw provided in the kit.
2. Slide nut from the separator into the slot on the bracket and tighten.

Horizontal

1. Replace one of the screws from the separator with a longer 1" screw provided in the kit.
2. Place the nut from the separator on the bottom of the bracket and assemble.

TAYLOR CABLE PRODUCTS, INC.
301 HIGHGROVE RD
GRANDVIEW, MO 64030

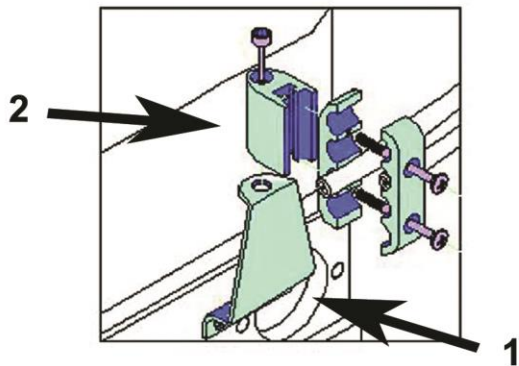
(816) 765-5011

www.taylorvertex.com

ISO50

5/25/18

INSTALLATION INSTRUCTIONS Part # 42600



Vertical / Horizontal

1. Bolt the aluminum bracket to the cylinder head as shown in the illustration above.
2. Fasten the vertical or horizontal bracket to the aluminum bracket with the bolts supplied in the loom kit.
1/4-20 nuts and lock washers will be required.

(hardware is not supplied)

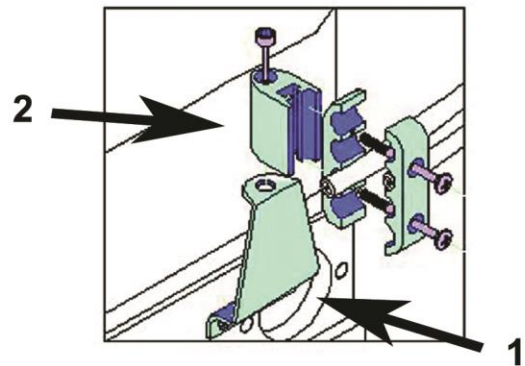
TAYLOR CABLE PRODUCTS, INC.
301 HIGHGROVE RD.
GRANDVIEW, MO 64030

(816) 765-5011
www.taylorvertex.com

ISO50

5/25/18

INSTALLATION INSTRUCTIONS Part # 42600



Vertical / Horizontal

1. Bolt the aluminum bracket to the cylinder head as shown in the illustration above.
2. Fasten the vertical or horizontal bracket to the aluminum bracket with the bolts supplied in the loom kit.
1/4-20 nuts and lock washers will be required.

(hardware is not supplied)

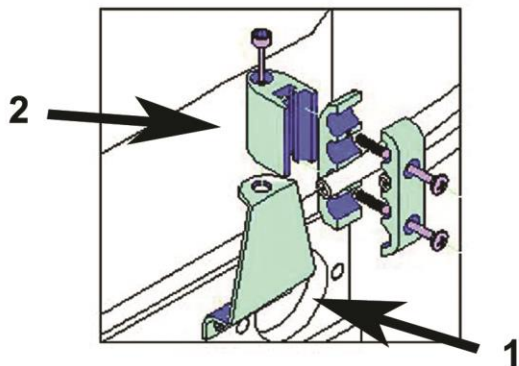
TAYLOR CABLE PRODUCTS, INC.
301 HIGHGROVE RD.
GRANDVIEW, MO 64030

(816) 765-5011
www.taylorvertex.com

ISO50

5/25/18

INSTALLATION INSTRUCTIONS Part # 42600



Vertical / Horizontal

1. Bolt the aluminum bracket to the cylinder head as shown in the illustration above.
2. Fasten the vertical or horizontal bracket to the aluminum bracket with the bolts supplied in the loom kit.
1/4-20 nuts and lock washers will be required.

(hardware is not supplied)

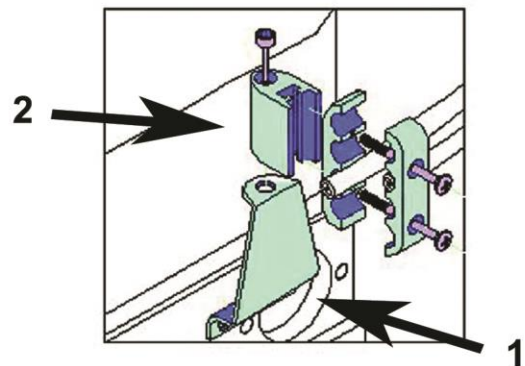
TAYLOR CABLE PRODUCTS, INC.
301 HIGHGROVE RD.
GRANDVIEW, MO 64030

(816) 765-5011
www.taylorvertex.com

ISO50

5/25/18

INSTALLATION INSTRUCTIONS Part # 42600



Vertical / Horizontal

1. Bolt the aluminum bracket to the cylinder head as shown in the illustration above.
2. Fasten the vertical or horizontal bracket to the aluminum bracket with the bolts supplied in the loom kit.
1/4-20 nuts and lock washers will be required.

(hardware is not supplied)

TAYLOR CABLE PRODUCTS, INC.
301 HIGHGROVE RD.
GRANDVIEW, MO 64030

(816) 765-5011
www.taylorvertex.com

ISO50

5/25/18