



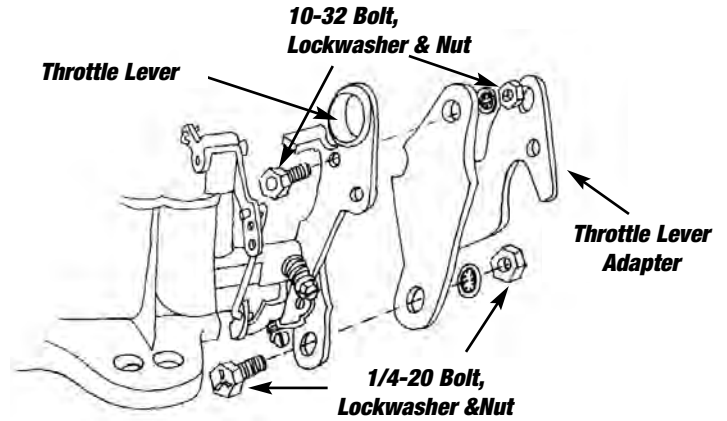
Chrysler Throttle Lever Adapter Kit
Catalog # 1481
INSTALLATION INSTRUCTIONS

PLEASE study these instructions carefully before installing your new Chrysler Throttle Adapter Lever Kit. If you have any questions, do not hesitate to contact our **Technical Hotline at: 1-800-416-8628**, from 7am-5pm Monday-Friday, Pacific Standard Time or via e-mail at: Edelbrock@Edelbrock.com.

The part #1481 Chrysler Adapter Lever Kit will allow you to connect Chrysler throttle linkages to the *Edelbrock Performer Series Carburetor*.

INSTALLATION OF ADAPTER

- A. Follow the *PERFORMER SERIES CARBURETOR INSTALLATION INSTRUCTIONS* included with the carburetor. During step 1 of the "PREPARATION OF CARBURETOR FOR INSTALLATION" section, you should attach the Throttle Lever Adapter to the existing throttle lever using the appropriate bolts, lockwashers, and nuts making sure the adapter is secured properly.
- B. Continue to install the carburetor using the *PERFORMER SERIES CARBURETOR INSTALLATION INSTRUCTIONS*.



KIT CONTENTS			
<input type="checkbox"/> 1 Throttle Lever Adapter	<input type="checkbox"/> 1	1/4-20 Bolt	
<input type="checkbox"/> 1 10-32 Bolt	<input type="checkbox"/> 1	1/4-20 Nut	
<input type="checkbox"/> 1 10-32 Nut	<input type="checkbox"/> 1	1/4 Lockwasher	
<input type="checkbox"/> 1 10-32 Lockwasher			

Edelbrock Corporation 2700 California Street Torrance, CA 90503
Toll-Free Tech Line: 800-416-8628
Office: 310-781-2222
Tech E-Mail: edelbrock@edelbrock.com

©2009 Edelbrock Corp.
Rev. 1/09 - AJ/mc

Catalog #1481
Brochure #63-0329



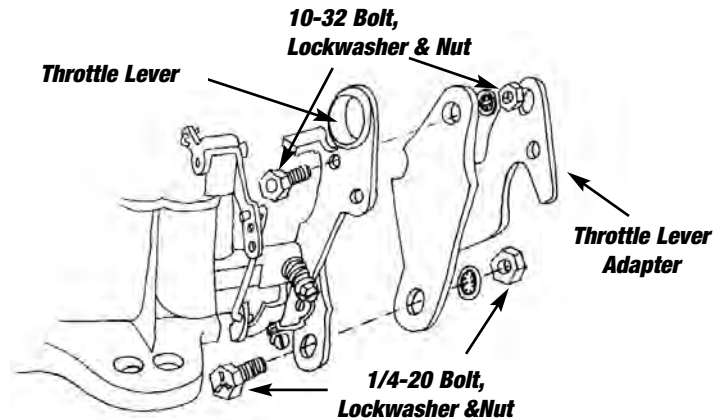
Chrysler Throttle Lever Adapter Kit
Catalog # 1481
INSTALLATION INSTRUCTIONS

PLEASE study these instructions carefully before installing your new Chrysler Throttle Adapter Lever Kit. If you have any questions, do not hesitate to contact our **Technical Hotline at: 1-800-416-8628**, from 7am-5pm Monday-Friday, Pacific Standard Time or via e-mail at: Edelbrock@Edelbrock.com.

The part #1481 Chrysler Adapter Lever Kit will allow you to connect Chrysler throttle linkages to the *Edelbrock Performer Series Carburetor*.

INSTALLATION OF ADAPTER

- A. Follow the *PERFORMER SERIES CARBURETOR INSTALLATION INSTRUCTIONS* included with the carburetor. During step 1 of the "PREPARATION OF CARBURETOR FOR INSTALLATION" section, you should attach the Throttle Lever Adapter to the existing throttle lever using the appropriate bolts, lockwashers, and nuts making sure the adapter is secured properly.
- B. Continue to install the carburetor using the *PERFORMER SERIES CARBURETOR INSTALLATION INSTRUCTIONS*.



KIT CONTENTS			
<input type="checkbox"/> 1 Throttle Lever Adapter	<input type="checkbox"/> 1	1/4-20 Bolt	
<input type="checkbox"/> 1 10-32 Bolt	<input type="checkbox"/> 1	1/4-20 Nut	
<input type="checkbox"/> 1 10-32 Nut	<input type="checkbox"/> 1	1/4 Lockwasher	
<input type="checkbox"/> 1 10-32 Lockwasher			

Edelbrock Corporation 2700 California Street Torrance, CA 90503
Toll-Free Tech Line: 800-416-8628
Office: 310-781-2222
Tech E-Mail: edelbrock@edelbrock.com

©2009 Edelbrock Corp.
Rev. 1/09 - AJ/mc

Catalog #1481
Brochure #63-0329