

INSTALLATION INSTRUCTIONS

THIS KIT CONTAINS

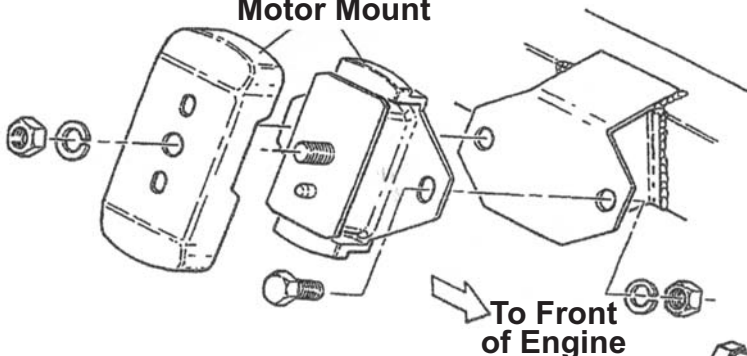
1 - Left Motor Mount	4 - 7/16" Flat Washers
1 - Right Motor Mount	4 - 7/16"-14 x 1 1/4" Grade 8 Hex Head Bolts
1 - Left Frame Mount	2 - 9/16" Nylon Locking Nuts
1 - Right Frame Mount	2 - 9/16" Flat Washers
4 - Urethane Mount Bushings	2 - 9/16"-12 x 4 1/4" Grade 8 Hex Head Bolts
2 - Steel Bushing Mount Tubes	6 - 3/8"-16 x 1" Grade 8 Hex Head Bolts
4 - 7/16" Nylon Locking Nuts	6 - 3/8" Lock Washers

Installation Hints

Be sure to use the following Trans-Dapt Components for a trouble free install.

- Toyota P/S pump to Small block Chevy Adapter Bracket 79-80 #4570 & 81-95 #4571
- Toyota Crossmember extension #4573
- Toyota Transfer Case Shims #4569
- Small Block Chevy Motor Mount Shims #4125
- Trans Dapt Engine Tilter #9099
- Trans Dapt Remote Oil Filtration System #1122 or #1222 See catalog
- For added performance check out our full line of Carb. & TBI spacers & Adapters.

Discard Shield and Toyota Rubber Motor Mount



Remove old engine and discard stock Toyota motor mounts (shield, rubber mount, everything).

Bolt motor mount (A) to motor. Bolt motor mount (B) to frame in stock Toyota location.

